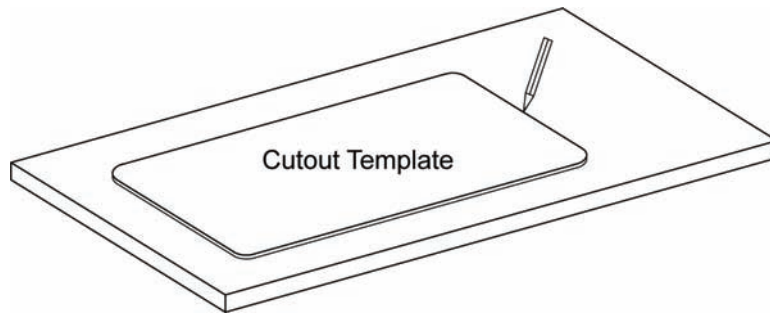
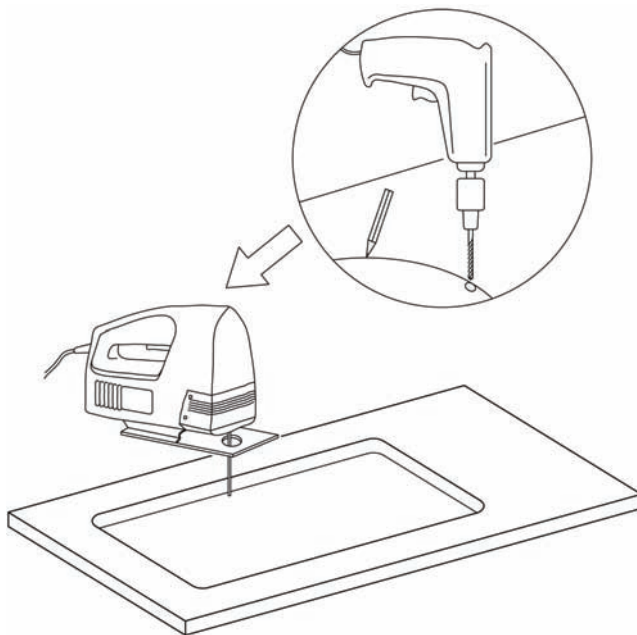




INSTALLATION INSTRUCTIONS

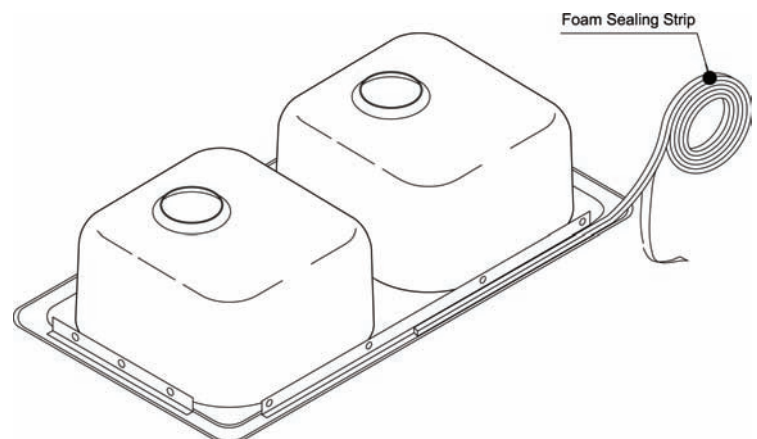


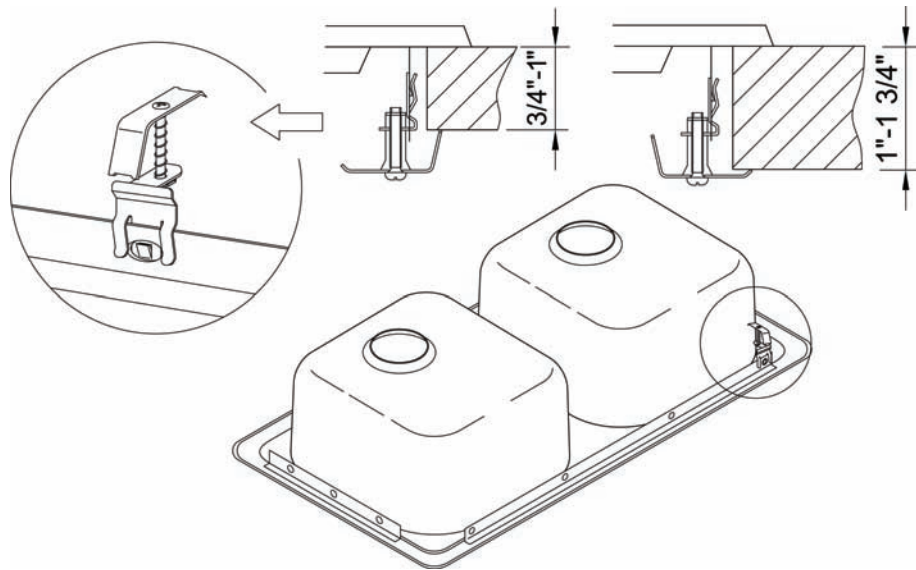
Clean your countertop and position the cutout template on it as desired. Using a pencil to draw a line on the countertop along the edge of the cutout template.



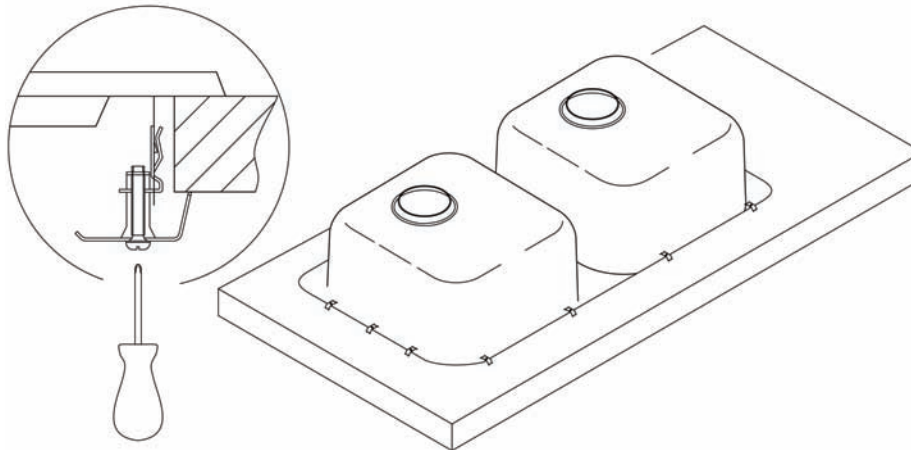
For laminated or wood countertop, drill starter hole and cut along the line traced around the template; for granite, marble or other solid surface countertop, your fabricator will cut it accordingly.

Remove protective film from foam sealing strip. Apply the foam seal approximately 1/4 inch from the edge of the sink. Do not stretch foam strip and make sure the ends meet seamlessly.





Slip the mounting clips over the sink rails and into the holes on the rail (the 1-prong side of the clip should face the sink bowls). Rotate the clips according to the thickness of your countertops (see illustration).



Tighten screws in mounting clips with a phillips screwdriver by hand. Warning: Use of a drill or power screw driver can strip screws!



WELLS SINKWARE CORP.

916 W. 21st Street

Chicago, IL 60608

Phone: (888) 626-0006

Fax: (312) 850-3422

Email: contact@WellsSinkware.com